



Cylindrical fenders

CYLINDRICAL FENDERS



Of all the different types of rubber fender profiles, cylindrical fenders have been in use for the longest period of time already. This type of fender is well capable of absorbing forces and loads. The wide choice of sizes and lengths also make them highly effective and suitable for the protection of the quays for the mooring of large and small vessels. Cylindrical fenders provide protection for embankments and they are also commonly used on the bows or sterns of tugboats and workboats. These fenders are easy to install and maintain and they can be replaced when necessary.

Types

FenderTec produces cylindrical fenders with smaller diameters by means of extrusion, while larger fenders are produced by wrapping highly wear-resistant rubber around a mandrel. Cylindrical fenders are produced in different sizes, ranging from Ø 100 mm up to a diameter of 2000 mm. Standard sizes of up to a diameter of 400 mm are kept in stock by FenderTec and can be delivered at short notice.

Processing

Cylindrical fenders can be attached to a wide variety of structures and in different manners. Installation is relatively simple and they can be mounted horizontally, vertically or diagonally using chains or rods. Cylindrical fenders can be provided in specified lengths and the ends can be bevelled.

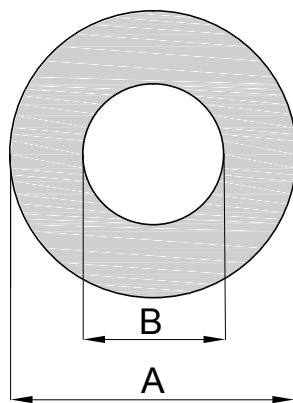
Applications

Cylindrical fenders are widely used in various sizes and designs on:

- workboats
- tugboats
- quays
- pontoons
- piers



CYLINDRICAL FENDER



Standard dimensions

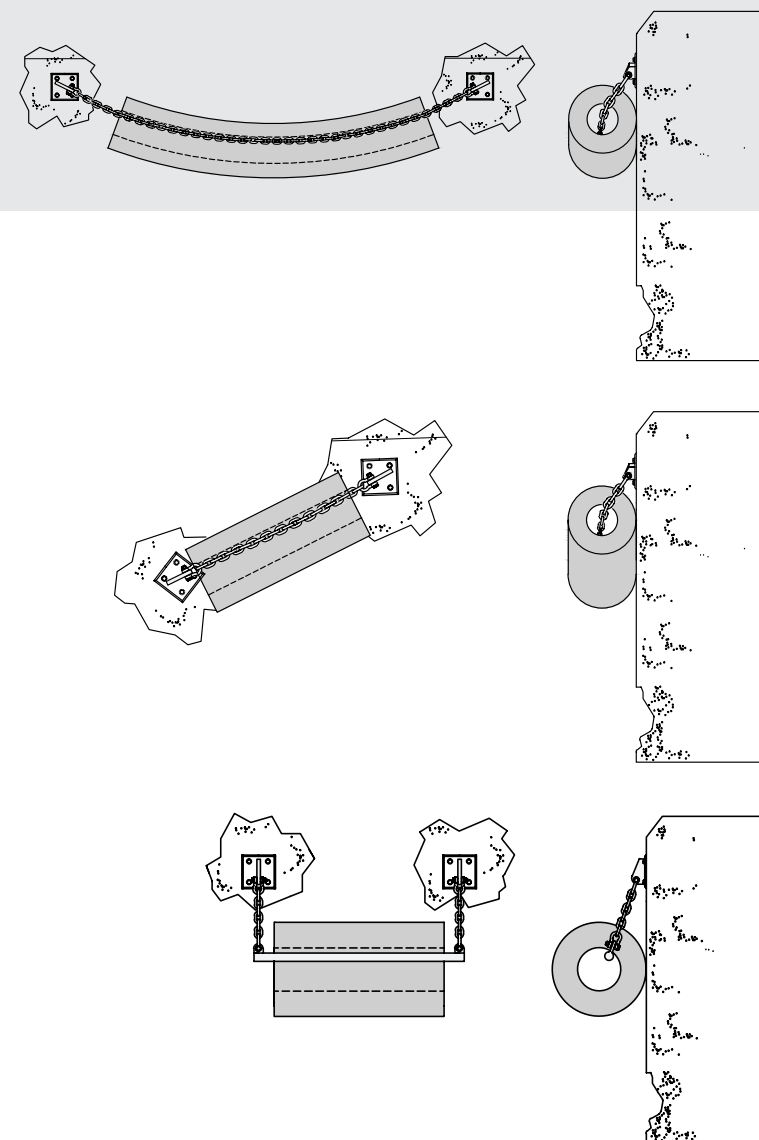
A (mm)	B (mm)	Weight (kg/m)
100	50	7.2
150	75	16.3
200	100	29.0
250	125	45.3
300	150	65.2
380	190	105
400	200	116
450	225	147
500	250	181
600	300	255
800	400	453
1000	500	707
1200	600	1018
1400	700	1386
1400	800	1245
1500	750	1591
1600	800	1810
1800	900	2273
2000	1200	2414

Other non-standard dimensions available on request.



CYLINDRICAL FENDER

Mounting method



Your local representative:

